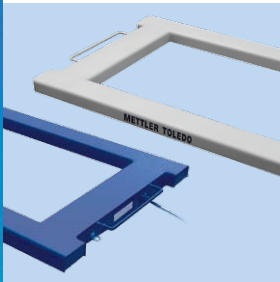


Mobile, Solid and Easy to Use **BSA231 and BSA236**



Terminal

- Highly visible display
- Innovative and user friendly
- Standard RS232 interface
- IP54 for plastic housing
- IP66/IP67 for stainless steel housing



Weigh Bridge

- BSA231 – Carbon steel version
- BSA236 – Stainless steel version



Structure

- Handle and wheels for easy moving
- RockerFoot ensures accurate and reliable weighing
- Level bubble for simple and fast platform leveling



Complete Pallet Weighing Solution

The BSA231/BSA236 with capacities up to 1500 kg is a functional complete pallet scale and ideal for transshipment like goods receiving and shipping departments. Wheels in the fork end and a handle on the frame make the platform fit for flexible use. Weigh on site. Terminal and platform are preassembled and optionally fully approved. The unique RockerFoot suspension guarantees a good shock- and vibration damping. After alignment, the BSA231/BSA236 is immediately ready for use. The painted version BSA231 is supplied with the robust IND231 terminal. The stainless steel version BSA236 is designed for harsh environments and is supplied with the stainless steel IND236 terminal.

The simple and convenient menu configuration and the straightforward and intuitive setup of a multitude of different available functions makes the BSA231/BFA236 easy to use. It requires minimal operator training and measurably improves production efficiency.

BSA231/BSA236 Pallet Scales

Specifications

Model	BSA231-600	BSA231-1500	BSA236-600	BSA236-1500	
Capacity (kg)	600	1500	600	1500	
Accuracy class	III				
Resolution 3000e (kg)	0.2	0.5	0.2	0.5	
Minimum capacity (kg)	4	10	4	10	
Max. static safe load (kg)	Central	2500	1200	2500	
	Side	600	1250	600	1250
	Corner	300	650	300	650
Protection class	Load cell	IP67		IP68	
	J-BOX	IP68			
	Terminal	IP54	IP66/IP67		
Temperature range	-10°C to +40°C for accuracy class III				

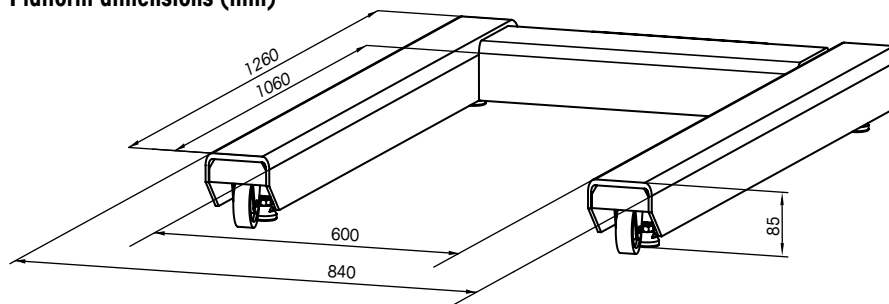
BSA231

- Painted carbon steel platform
- Plastic house terminal
- 5 m connection signal cable

BSA236

- Stainless steel platform, AISI304
- Stainless steel house terminal, AISI304
- 5 m connection signal cable

Platform dimensions (mm)

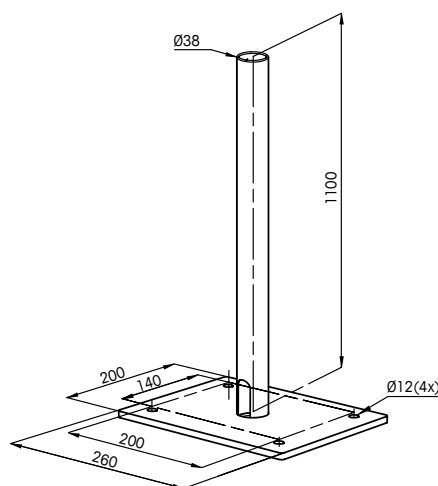


Accessories

- Terminal stand

Model	S110-IND231	S110-IND236
Suitable to	BSA231	BSA236
Material	Stainless steel, AISI304	
Note	includes terminal bracket	includes terminal bracket

Terminal stand dimensions (mm)



Mettler-Toledo AG

CH-8606 Greifensee
Switzerland
Phone +41 44 944 22 11
Fax +41 44 944 30 60

METTLER TOLEDO Service

www.mt.com/BSA231-BSA236

For more information

Subject to technical changes
© 08/2013 Mettler-Toledo AG
Printed in Switzerland
MarCom Industrial
MTSI 30098959