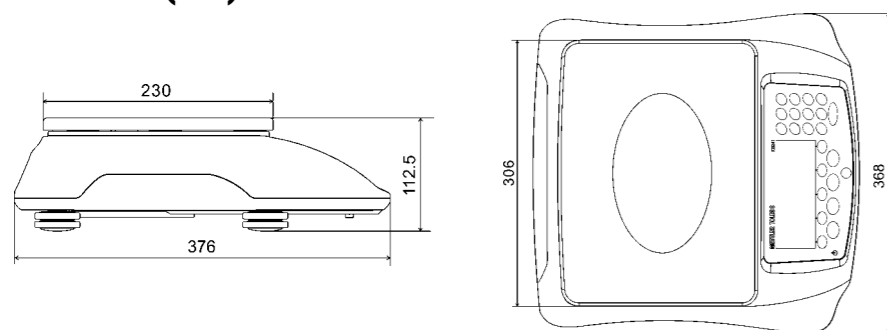


## Technical Details

<b>Capacity</b>	6 lb, 15 lb, 30 lb, 60 lb
<b>Readability</b>	30,000 d
<b>Units</b>	g, kg, lb, oz, t
<b>Display</b>	Dot-Matrix LCD with white backlight
<b>Power</b>	Adapter, 100-240V/50Hz 6 pcs D type battery
<b>Interface</b>	One RS232 for standard
<b>Material</b>	Housing: Plastic Load Plate: Stainless steel, AISI304
<b>Platform Size</b>	230 x 306 mm
<b>Language</b>	English, Chinese, Spanish, French
<b>Functions</b>	Simple weighing, counting Totalizing, Check counting/weighing
<b>Applications</b>	Transaction database Up to 30,000 records via SD card
	Article database Standard 50 IDs, up to 1,550 IDs via SD card
	Label printing Zebra label printer

## Dimension (mm)



# Compact Weighing Systems



## ICS241 Compact Scale

- Easy operation
- Highly efficient data management
- Versatile industrial applications

[www.mt.com](http://www.mt.com)

For more information

## Precise, Convenient, Smart, Efficient

### For Counting and Weighing Applications

#### METTLER TOLEDO

##### Industry/Retail

Add: 111 West Tai Hu Road, Xinbei District,  
Changzhou, Jiangsu  
Tel: 0519-86642040  
Fax: 0519-86641991  
Email: ad@mt.com

##### Laboratory/Process/Products Inspection

Add: 589 Gui Pin Road, Shanghai  
Tel: 021-64850435  
Fax: 021-64853351  
Email: ad@mt.com

30083288-R1 Printed in P. R. China 2013/03



**METTLER TOLEDO**

# A Great Fit For Many Industrial Applications

ICS241 is a new counting and simple weighing scale with applications for various industrial environments, e.g. production, warehouse and logistics, packaging and quality control. It offers an easy-to-use human-machine interface, thanks to intuitive LCD display and alphanumeric keypad, for easy and fast operation. Smart database management improves productivity, helping you avoid operator errors and reduce risk and cost. It is a great fit in many industrial applications, e.g. label printing, mobile operation.

## Smart Database Management

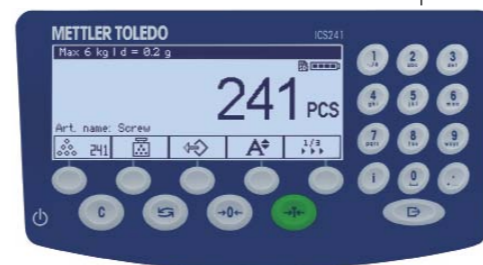
Transaction database can save each counting/weighing result and up to 30,000 entries via SD card for traceability. Export .csv files from SD card to PC in MS Excel.



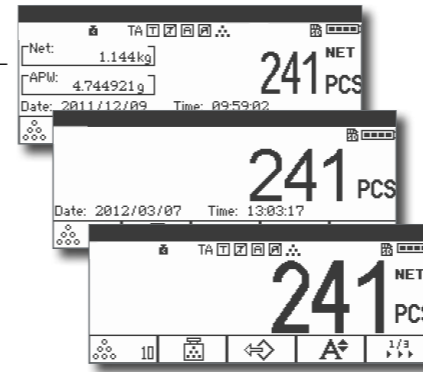
	A	B	C	D	E	F	G	H	I
1	Rec. no.	Date	Net	Tare	Gross	Art. name	Art. no.	APW	Quantity
2	000 005	2012/1/4	1.500 kg	1.500 kg	3.000 kg	Screw	1001	29.99933	50
3	000 006	2012/1/4	1.500 kg	1.500 kg	3.000 kg	Screw	1001	29.99933	50
4	000 007	2012/1/4	1.500 kg	1.500 kg	3.000 kg	Screw	1001	29.99933	50
5	000 008	2012/1/4	3.000 kg	1.500 kg	4.500 kg	Screw	1001	29.99933	100
6	000 009	2012/1/4	3.000 kg	1.500 kg	4.500 kg	Screw	1001	29.99933	100
7	000 010	2012/1/4	4.500 kg	1.500 kg	6.000 kg	Screw	1001	29.99933	150

ICS241 provides article database, managing up to 1,550 entries via SD card.

Recall record	
0004	Art. name: Screw
0005	Art. no.: 0001
0006	Tare: 1.500 kg
0007	APW: 29.99933 g
ESC	↑ ↓ 🔍 OK



**Alphanumeric Membrane Keypad**  
Configurable softkeys for fast access to key function, such as sampling and counting. Numeric keypad for fast input of tare or sample weights.



**Intuitive LCD Display**  
Dot-Matrix LCD displays shows text and graphics for excellent operator guidance. All relevant information is shown on one screen. Three different display styles are available for your convenience.



**Batteries for Mobile Operation**  
The ICS241 has an easily accessible battery compartment with six D-size dry or rechargeable batteries for self-contained operation time of up to 100 hours.

## RS232 Interface

- ICS241 offers reliable RS232 connectivity to external devices.
- Connect to barcode scanners, Recall the article info to easy-to-manage thousands of article IDS.
- Connect to label or receipt printers directly, Reduce the equipment cost and increase efficiency.
- Integrate to an existing ERP or Warehouse Management system.



Label	
Product Name	Neck screw M15*10
Product No.	
Gross	3.580 kg
Tare	1.000 kg
Net	2.580 kg
OperatedBy	
Date	2011/12/15
Lot	

Label

Receipt	
Date	03/15/2013
Time	09:33:18 AM
Art. Name	Screw
Art. No.	10000
Net	0.940 kg
APW	18.78874 g
Quantity	50 PCS

Receipt